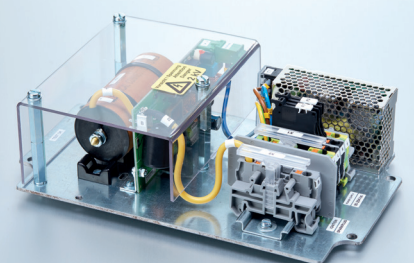


E-LIGHT

High energy ignition system

Reliable ignition of gas burners

- Modular design with option for ionization flame monitor
- ATEX/IECEx certified versions available



FEATURES

- **High energy ignition**
 - Ignition voltage 2,000 V for long cable routes
 - Ignition energy 2 joules per spark
- **Modular and modern electronics**
 - High energy ignition module and separate power supply
 - Thyristor controlled capacitor discharge
 - Microcontroller controls ignition
- **Flexible operating voltages of 100 ... 240 VAC or 24 VDC (10 ... 30 VDC)**
- **Customized solutions**
 - Optionally with ionization and/or start relay in one device/housing
 - Several ignition modules as well as PLC for monitoring of thermocouples and control tasks in one housing
 - Lower ignition frequency and continuous operation on request

BENEFITS

- **Reliable and safe ignition**
 - High ignition voltage ensures safe ignition even over long cable lengths
 - High-energy ignition significantly less sensitive to dirt and moisture than high-voltage ignition
- **Easy replacement**
 - The compact ignition module can be used in many installations directly as a replacement for old modules
- **Flexible system structure**
 - High energy ignition devices in standard enclosures for safe zones or hazardous areas
 - High-energy ignition modules for installation in customer housings
 - Flexible operating voltages thanks to a separate power supply
- **Cost savings**
 - Wear-free ignition device (thyristor controlled)
 - Customized solutions for the application
 - Less wear on the ignition tip

TECHNICAL DATA

E-LIGHT High energy ignition unit	
Ignition energy	2 joules/spark
Ignition frequency	3 sparks/s (standard) 0.5 or 0.09 sparks/s (for continuous operation)
Ignition voltage	2,000 V
Maximum sparking time	180 s at 3 sparks/s > 180 s at 0,5 or 0,09 sparks/s
Maximum ignition cable length	100 m (4 mm ²), 35 m (1.5 mm ²)
Connections	Via terminals Maximum: 6 mm ² (solid), 4 mm ² (stranded)
Electrical data	AC = 100 ... 240 VAC 50 ... 60 Hz, 25 VA DC = 10 ... 30 VDC, 13 VA
Dimensions	• E-LIGHT ... 161609: 160 x 160 x 90 mm (DC) ... 162609: 160 x 260 x 90 mm (AC) ... 233311: 230 x 330 x 110 mm (AC) ... GUB03A: see drawing (AC + DC) ... EJB23: see drawing (AC + DC)
Ambient conditions	• Temperature: ... 161609 ... DC: -40 ... 70 °C ... 162609 ... AC: -25 ... 70 °C ... 233311 ... AC: -25 ... 70 °C ... GUB03A ... AC: -25 ... + 55 °C ... GUB03A ... DC: -40 ... + 55 °C ... EJB23 ... AC: -25 ... + 55 °C ... EJB23...DC: -40 ... + 55 °C • Mechanical shock: 9G, EN60068-2-27 (Direction X, Y, Z) • Vibration: 2G, EN60068-2-6 (Direction X, Y, Z)

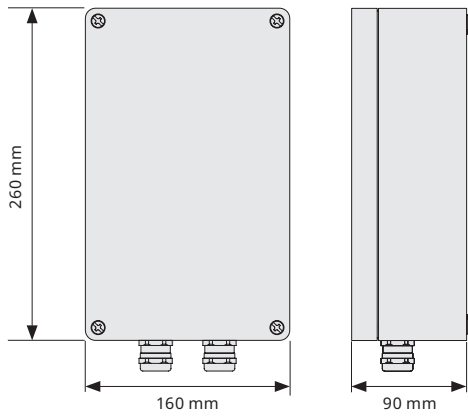
Degree of protection	IP66
Material	• Enclosure (safe area): Painted aluminum RAL 5017 • Enclosure (explosion proof): Cast aluminum painted grey RAL 9006
Explosion protection	• E-LIGHT GUB03A ... ATEX/IECEX II 2G Ex db IIC T6 Gb • E-LIGHT ... EJB23 ATEX/IECEX 2G Ex db IIB+H2 T5 Gb

Ionization flame monitor (optional) Type-Code: ... SV98H ...	
Available for	• E-LIGHT ... 233311-SV98H GUB03A-SV98H EJB23-SV98H ...
Flame ON/OFF contact	Changeover Maximum 250 VAC, 1A
Certification	DIN EN 298 (01.11.2012)
Electrical data	230 VAC, 10 VA 115 VAC, 125 VAC or 250 VAC, 10 VA
Ambient conditions	-30 ... +60 °C

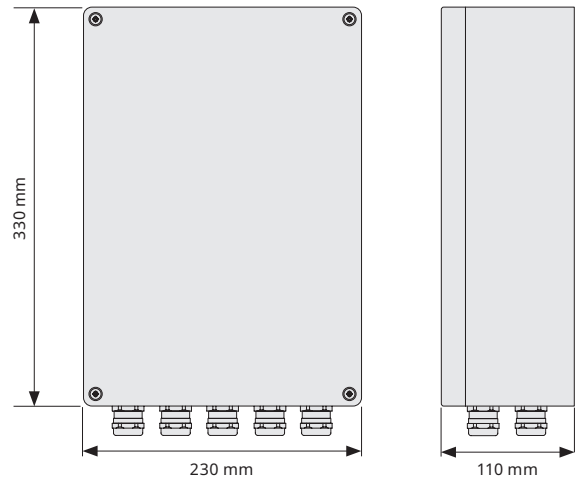
Start relay (optional) Type-Code: ... CR ...	
Function	Starts the ignition while powered on
Electrical data	24 VDC, 2 VA

E-LIGHT | SAFE AREA

E-LIGHT ... 162609
HIGH ENERGY IGNITION DEVICE

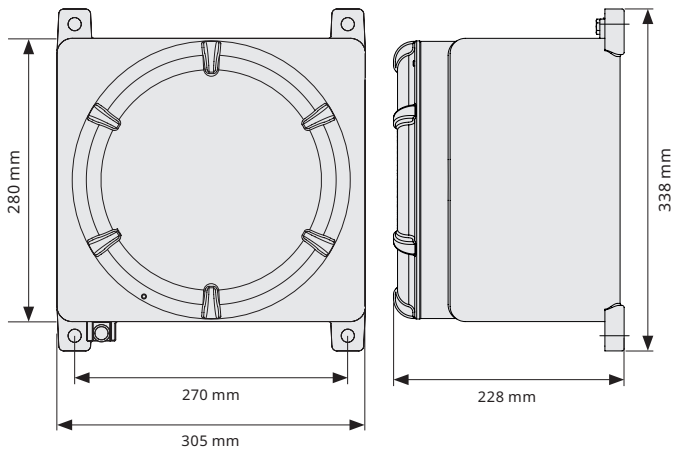


E-LIGHT ... 233311
... WITH IONIZATION FLAME MONITOR AND START RELAY

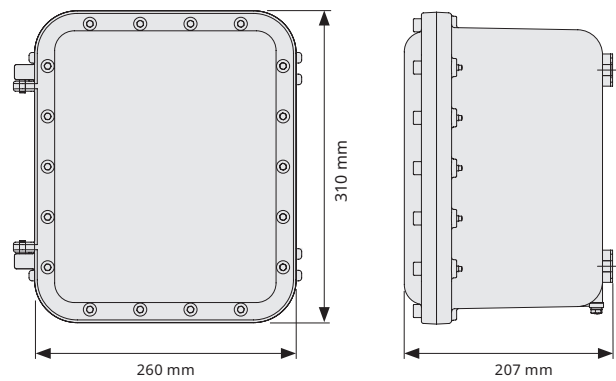


E-LIGHT | HAZARDOUS AREA

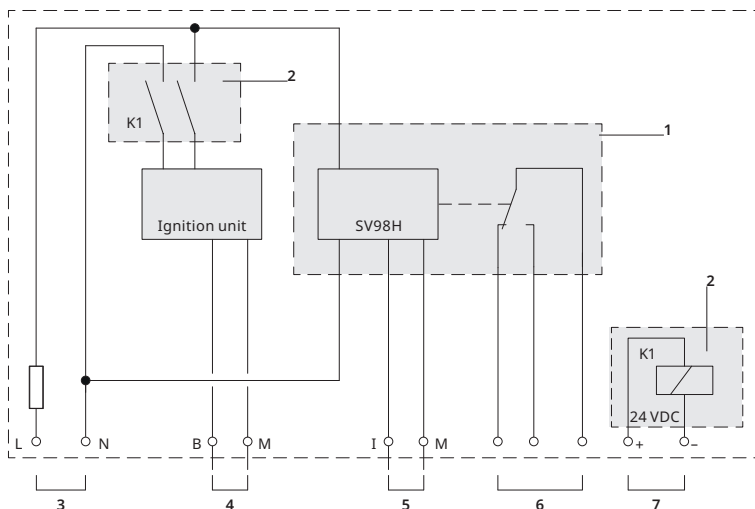
E-LIGHT ... GUB03A
ATEX/IECEX II 2G Ex db IIC T6 Gb



E-LIGHT ... EJB23
ATEX/IECEX 2G Ex db IIB+H2 T5 Gb



E-LIGHT | CONNECTION DIAGRAM



- 1 Ionization flame monitor (SV98H)
- 2 Start relay (CR)
- 3 Power supply (AC or DC)
- 4 Ignition cable
- 5 Ionization cable
- 6 Flame ON/OFF contact
- 6 Start relay input

DURAG GROUP

SMITSVONK HOLLAND B. V.

Goudstraat 6
2718 RC Zoetermeer, The Netherlands
Phone +31 79 361 3533
sales@smitsvonk.durag.com

DURAG.COM